



Spare Parts Catalogue

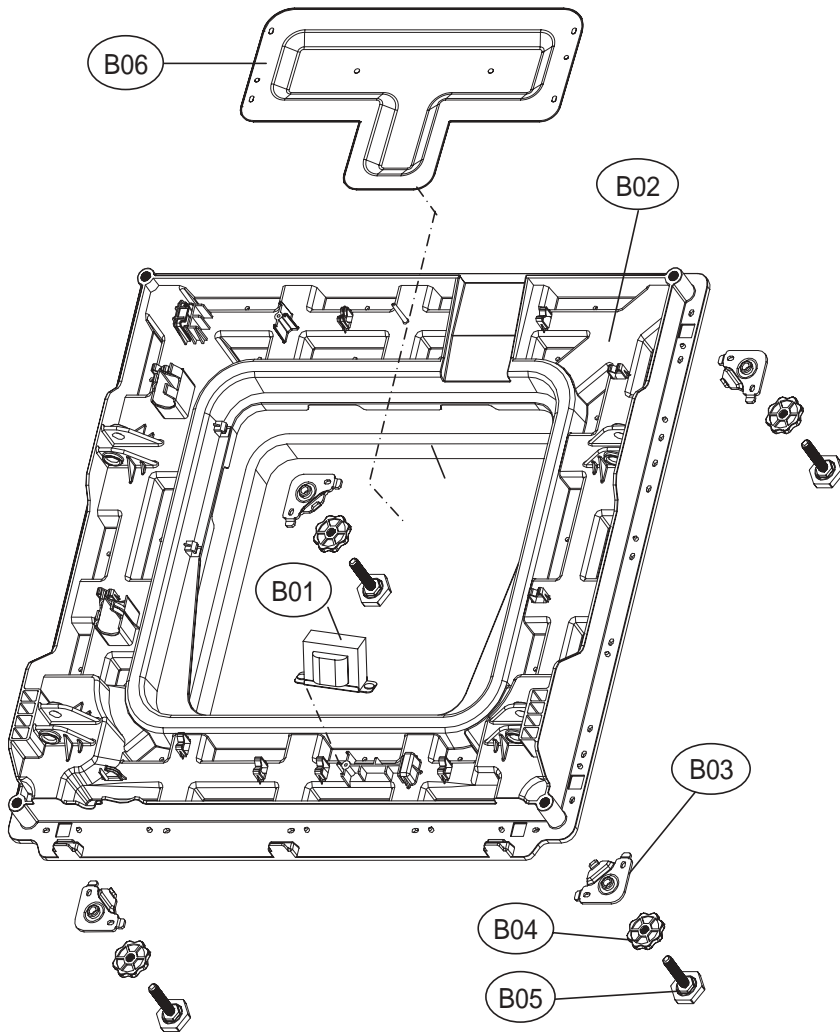
ASKO Washing Machines \ ASKO XXL Series
Type: WL6532
Model: WL6532XXL Front loader

Prod. No: 1076532RR
April 6th 2010

ASKO Appliances Inc.

4001 E Plano Parkway #1004001 E Plano Parkway #100
Plano, Texas 75074

2. BASE UNIT ASS'Y

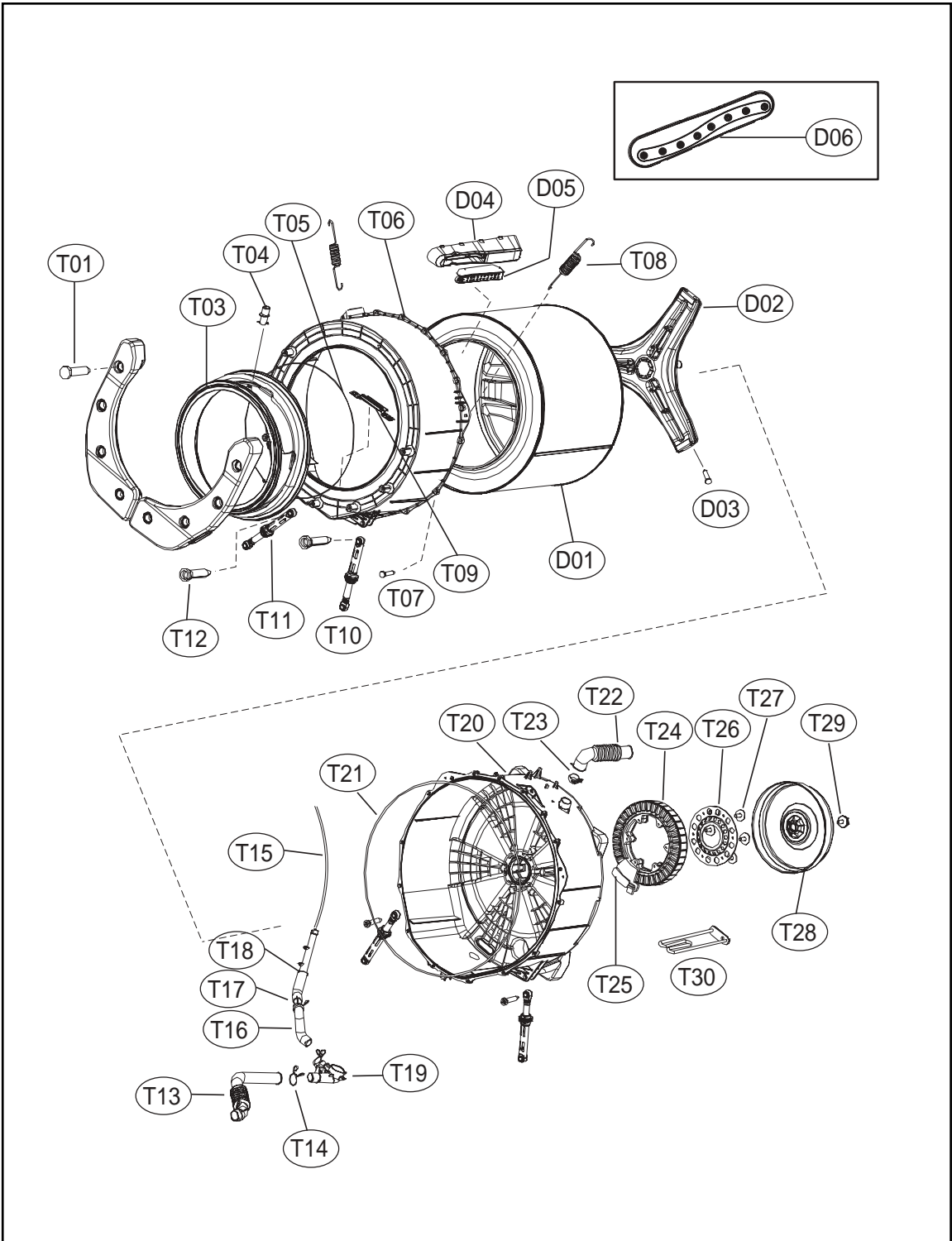


Base

ASKO, WL6532XXL - Front loader #1076532RR (WL6532)

| Pos | Spare part No. | Description | Qty | Comment |
|-------|----------------|-------------------------|---------|---------|
| B01 | 52G043A110 | Voltage Regulator | 1 Pc's | |
| B02 | 3610392700 | Base | 1 Pc's | |
| B02-a | 7122401411 | Screw - Self Tapping | 20 Pc's | |
| B03 | 3615303600 | Leg Support | 4 Pc's | |
| B04 | 3612006400 | Leg Locking Nut | 4 Pc's | |
| B05 | 3612100700 | Leg Adjustable | 4 Pc's | |
| B05-a | 7122401411 | Screw - Self Tapping | 2 Pc's | |
| B06 | 3618304600 | Heater Protection Plate | 1 Pc's | |
| B06-a | 7122401411 | Screw - Self Tapping | 4 Pc's | |

3. SUPPORT DRUM REAR ASS'Y



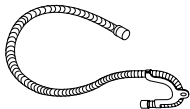
Drum Assembly

ASKO, WL6532XXL - Front loader #1076532RR (WL6532)

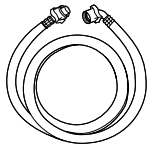
| Pos | Spare part No. | Description | Qty | Comment |
|-------|----------------|-------------------------------|---------|-------------------------------------|
| D01 | 3617008X10 | DRUM SUB AS | 1 Pc's | |
| D02 | 361A300600 | Spider - Inner Drum | 1 Pc's | |
| D03 | 3616029500 | Screw - Spider | 6 Pc's | |
| D04 | 361A400700 | Tub Paddle | 3 Pc's | |
| D05 | 3610917310 | Paddle Filter Cap | 3 Pc's | |
| D05-a | 3611908410 | Paddle Filter | 3 Pc's | |
| D05b | 3611908500 | FILTER NET | 3 Pc's | |
| D05-b | 3611908500 | FILTER NET | 3 Pc's | |
| D06 | 361A401400 | LIFTER WASH | 3 Pc's | |
| T01 | 3616029400 | Screw - Weight Balancer | 8 Pc's | |
| T02 | 3616110100 | BALANCER WEIGHT AS(L) | 1 Pc's | |
| T02 | 3616110200 | BALANCER WEIGHT AS(R) | 1 Pc's | |
| T03 | 3612322000 | Tub Gasket | 1 Pc's | |
| T04 | 3618104000 | Shower Nozzle | 1 Pc's | |
| T05 | 3611205300 | Clamp - Tub Gasket | 1 Pc's | |
| T06 | 3618828Y00 | Outer Tub Front | 1 Pc's | |
| T07 | 3616029800 | Tub Screw | 15 Pc's | |
| T08 | 3615114800 | Suspension Spring | 2 Pc's | |
| T09 | 3612006700 | Heater Clip | 1 Pc's | |
| T10 | 361A700300 | Spring Leg - Right Front/Rear | 2 Pc's | |
| T11 | 361A700110 | Spring Leg - Left Front/Rear | 2 Pc's | |
| T12 | 361A700200 | Pin - Spring Leg | 8 Pc's | |
| T13 | 3613269000 | Hose - Drain Pump | 1 Pc's | |
| T14 | 3611203410 | Hose Clamp | 2 Pc's | |
| T15 | 3613270600 | Hose, Pressure Switch | 1 Pc's | |
| T16 | 3613269700 | Hose - Air Trap | 1 Pc's | |
| T17 | 3611204700 | Hose Clamp | 2 Pc's | |
| T18 | 361A500101 | Air Trap | 1 Pc's | |
| T19 | 36196TAM00 | Drain Housing | 1 Pc's | |
| T20 | 36100E2W00 | TUB REAR AS | 1 Pc's | |
| T21 | 3612322100 | GASKET TUB | 1 Pc's | |
| T22 | 3613266300 | Upper Bellows Hose | 1 Pc's | |
| T23 | 3611203400 | Hose Clamp | 2 Pc's | |
| T24 | 36189L4840 | Motor Unit | 1 Pc's | |
| T25 | 3626D01002 | BLDC HALL IC | 1 Pc's | |
| T26 | 3610609700 | Motor Unit Bracket | 1 Pc's | |
| T27 | 3616063400 | Bolt, Motor | 6 Pc's | |
| T28 | 36189L4900 | Rotor Unit | 1 Pc's | |
| T29 | 3616029600 | Bolt- Rotor | 1 Pc's | To affix Rotor Unit to Spider Shaft |
| T30 | 3612801740 | Heating Element | 1 Pc's | |
| T30a | 361AAAAB20 | Thermistor | 1 Pc's | |

8. WASHER INSTALL ACCESSORIES

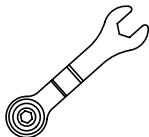
A01



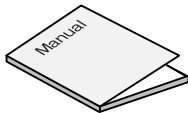
A02



A03



A04



A05

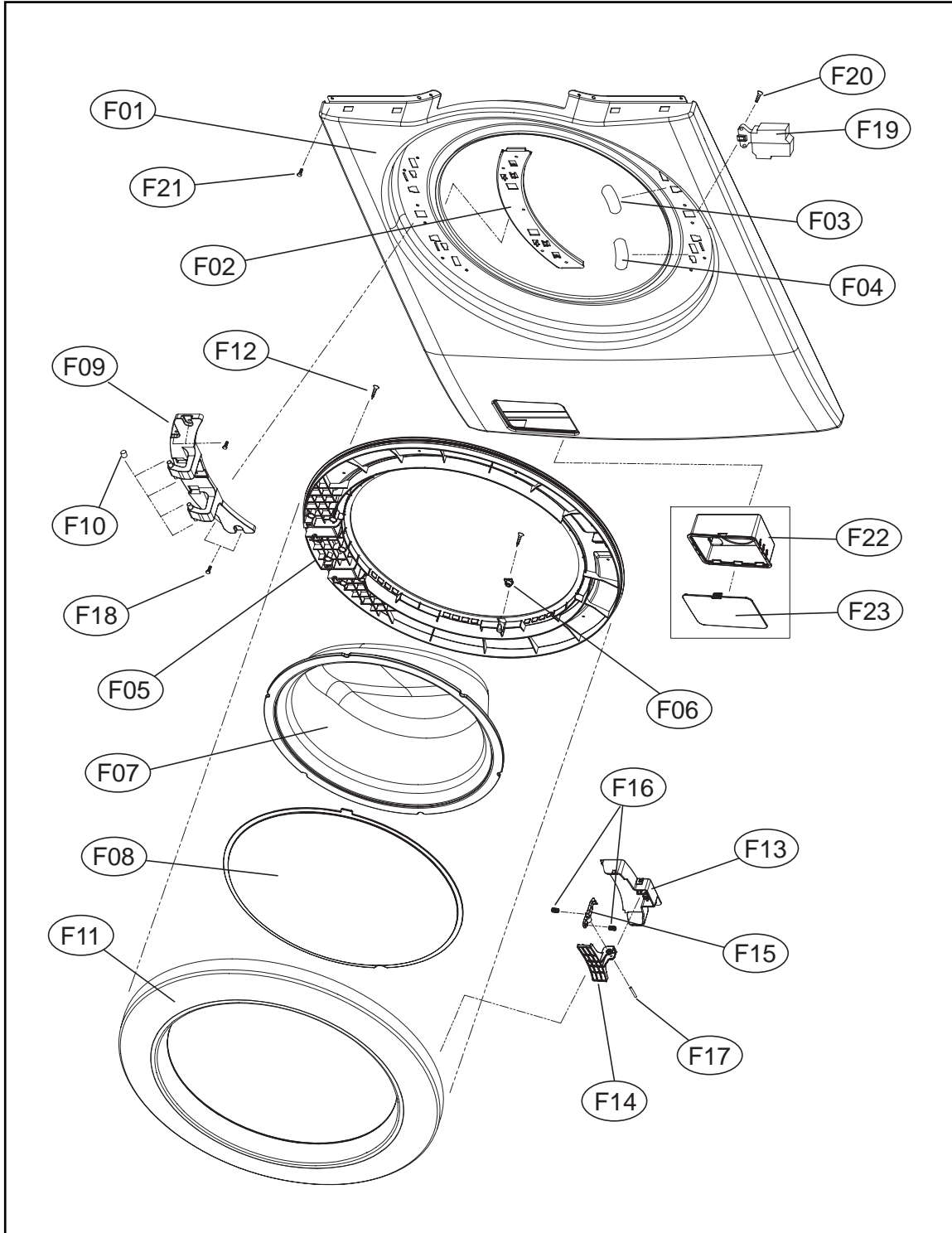


Accessories

ASKO, WL6532XXL - Front loader #1076532RR (WL6532)

| Pos | Spare part No. | Description | Qty | Comment |
|-----|----------------|--------------------|--------|---------|
| A01 | 3612502300 | Drain Hose Bracket | 1 Pc's | |
| A01 | 3613268500 | Drain Hose | 1 Pc's | |
| A02 | 3613271500 | Inlet Hose - Cold | 1 Pc's | |
| A02 | 3613271510 | Inlet Hose - Hot | 1 Pc's | |
| A03 | 36189L3X00 | Unit Wrench | 1 Pc's | |
| A04 | 4589A61600 | Owners Manual | 1 Pc's | |
| A05 | 3610916400 | Back Cover Cap | 4 Pc's | |

5. CABINET FRONT ASS'Y



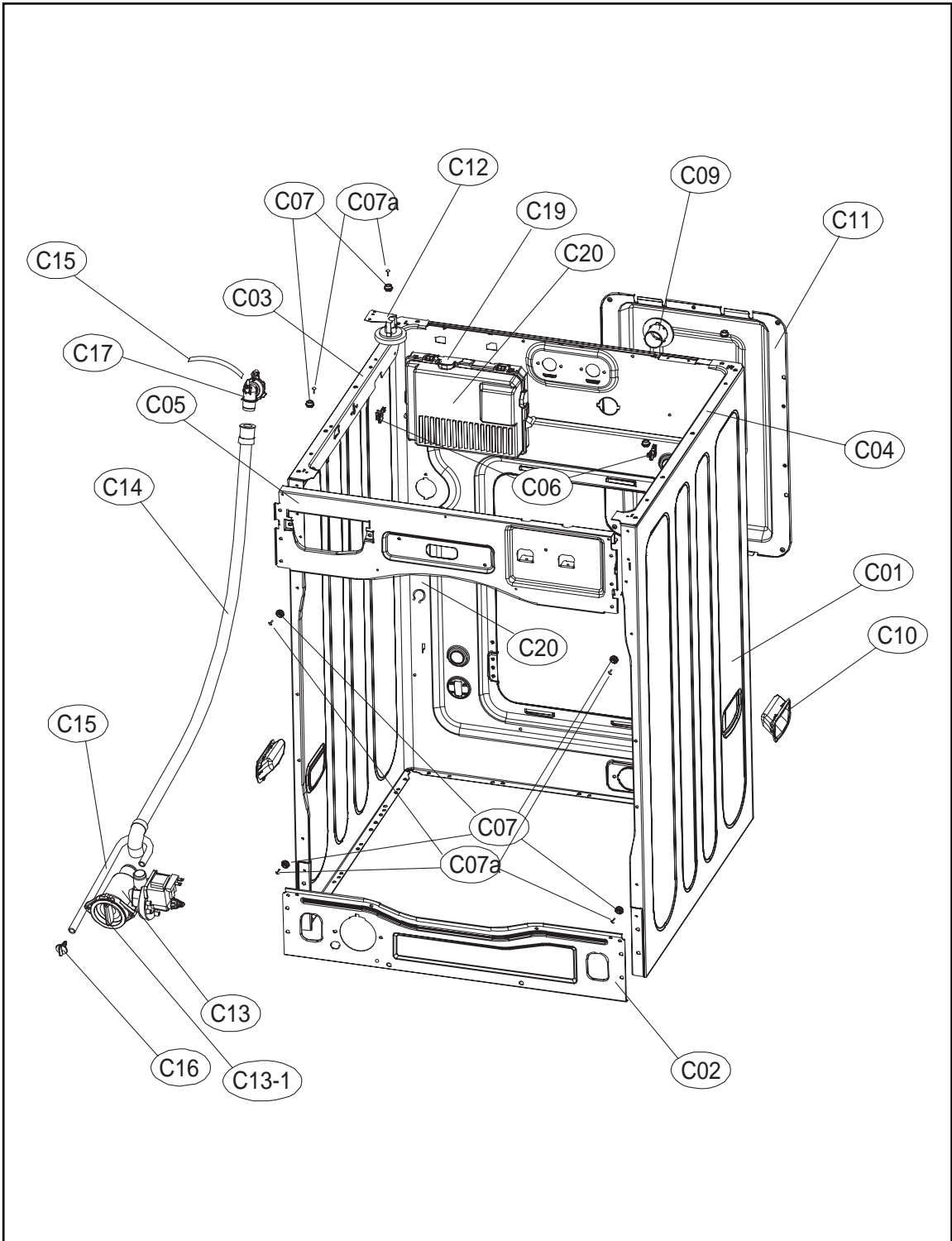
Cabinet Front

ASKO, WL6532XXL - Front loader #1076532RR (WL6532)

| Pos | Spare part No. | Description | Qty | Comment |
|-------|----------------|---------------------------|---------|------------------------------|
| F01 | 3610811322 | WM Front Panel XXL Red | 1 Pc's | |
| F02 | 3615304001 | SUPPORTER HINGE | 1 Pc's | |
| F03 | 3613555800 | Safety Label | 1 Pc's | |
| F04 | 3613558500 | Warning Label | 1 Pc's | |
| F05 | 3612206800 | Door Frame - Inner | 1 Pc's | |
| F06 | 3615202300 | Door Stopper | 1 Pc's | |
| F07 | 361A110600 | Door Glass | 1 Pc's | |
| F08 | 3618304300 | Door Glass Protection | 1 Pc's | |
| F09 | 3612902900 | Door Hinge | 1 Pc's | |
| F09-a | 3616051229 | Screw - Self Tapping | 4 Pc's | |
| F10 | 3610916500 | Door Hinge Cap | 4 Pc's | |
| F11 | 3612206900 | Door Frame - Outer | 1 Pc's | |
| F12 | 7115402029 | Screw - Self Tapping | 16 Pc's | |
| F13 | 3612609320 | Door Handle & Latch Compl | 1 Pc's | Includes F13,F14,F15,F16,F17 |
| F14 | 3612609000 | Door Handle | 1 Pc's | Included w/3612609320 |
| F15 | 3613100800 | Door Hook | 1 Pc's | Included w/3612609320 |
| F16 | 3615113700 | Hook Spring | 2 Pc's | Included w/3612609320 |
| F17 | 3618200100 | Handle Pin | 1 Pc's | Included w/3612609320 |
| F19 | 3619046410 | Door Switch Lock | 1 Pc's | |
| F19-a | 7122401608 | Screw - Self Tapping | 2 Pc's | |
| F22 | 3611141400 | Drain Pump Case | 1 Pc's | |
| F23 | 3611426800RR | Drain Pump Case Cover | 1 Pc's | |

■ PARTS LIST BY ASSY

1. CABINET AS

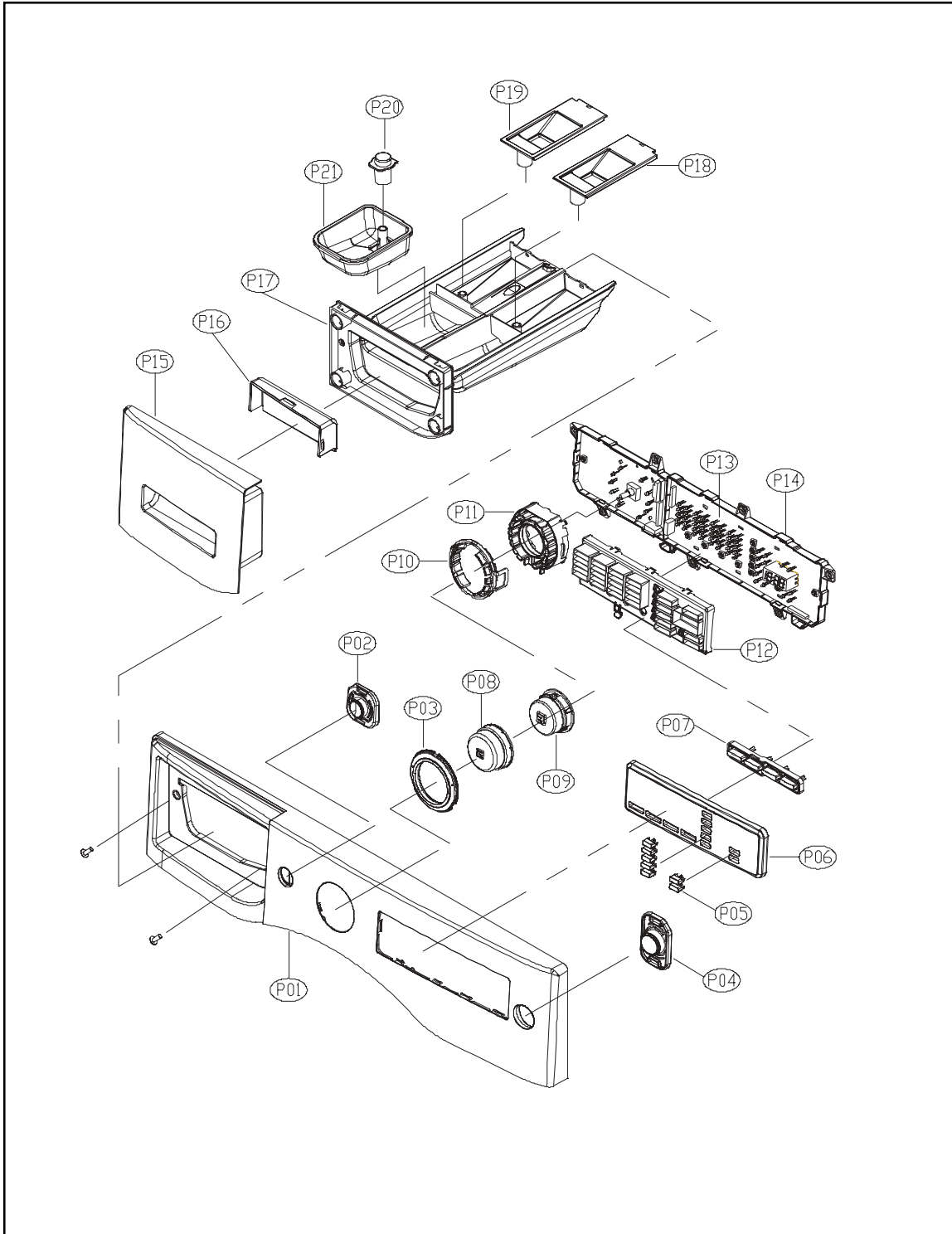


Cabinet

ASKO, WL6532XXL - Front loader #1076532RR (WL6532)

| Pos | Spare part No. | Description | Qty | Comment |
|-------|----------------|--------------------------|--------|-----------------------------|
| C02 | 3612206700 | Front Frame - Lower | 1 Pc's | |
| C03 | 3612206500 | Frame Top - Left | 1 Pc's | |
| C04 | 3612206600 | Frame Top - Right | 1 Pc's | |
| C05 | 3612208200 | Front Frame - Upper | 1 Pc's | |
| C05-a | 7122401411 | Screw - Self Tapping | 6 Pc's | |
| C06 | 3615202200 | Spring Clip | 2 Pc's | |
| C07 | 3612008000 | Panel Clip | 6 Pc's | |
| C07-a | 7121401211 | Screw - Self Tapping | 6 Pc's | |
| C09 | 3618103110 | Air Nozzle | 1 Pc's | |
| C10 | 3612608100 | Cabinet Handle | 2 Pc's | |
| C11 | 3611425530 | Back Cover | 1 Pc's | |
| C11-a | 7122401411 | Screw - Self Tapping | 4 Pc's | |
| C12 | 3614825220 | Pressure Sensor | 1 Pc's | |
| C12-a | 7122401411 | Screw - Self Tapping | 2 Pc's | |
| C13 | 36189L5600 | Drain Pump | 1 Pc's | |
| C13-a | 3611910200 | Pump Insert/Filter | 1 Pc's | |
| C13-b | 7122401411 | Screw - Self Tapping | 2 Pc's | |
| C14 | 3613271200 | Drain Hose-Inner | 1 Pc's | Includes C14,C14a,C17,C17-1 |
| C14a | 3610115600 | Drain Hose Absorber | 1 Pc's | |
| C14-a | 3610115600 | Drain Hose Absorber | 1 Pc's | |
| C14-b | 3611203900 | Hose clamp | 2 Pc's | |
| C15 | 3613272210 | Siphon Hose | 1 Pc's | |
| C15-a | 7122401411 | Screw - Self Tapping | 1 Pc's | |
| C16 | 3610916800 | Plug - Manual Drain Hose | 1 Pc's | |
| C17 | 3616802600 | Drain Hose Cuff | 1 Pc's | |
| C19 | PRPSSWAD19 | PCB INVERTER AS | 1 Pc's | |
| C20 | 3611427700 | Cover - Main PCB | 1 Pc's | |
| C20 | 3612796T00 | Harness | 1 Pc's | |
| C20-a | 3613802300 | Harness Clip | 6 Pc's | |
| C20-b | 3613802100 | Harness Clip | 2 Pc's | |
| C20-c | 3613557100 | UL Wiring Label | 1 Pc's | |

6. CONTROL PANEL ASS'Y

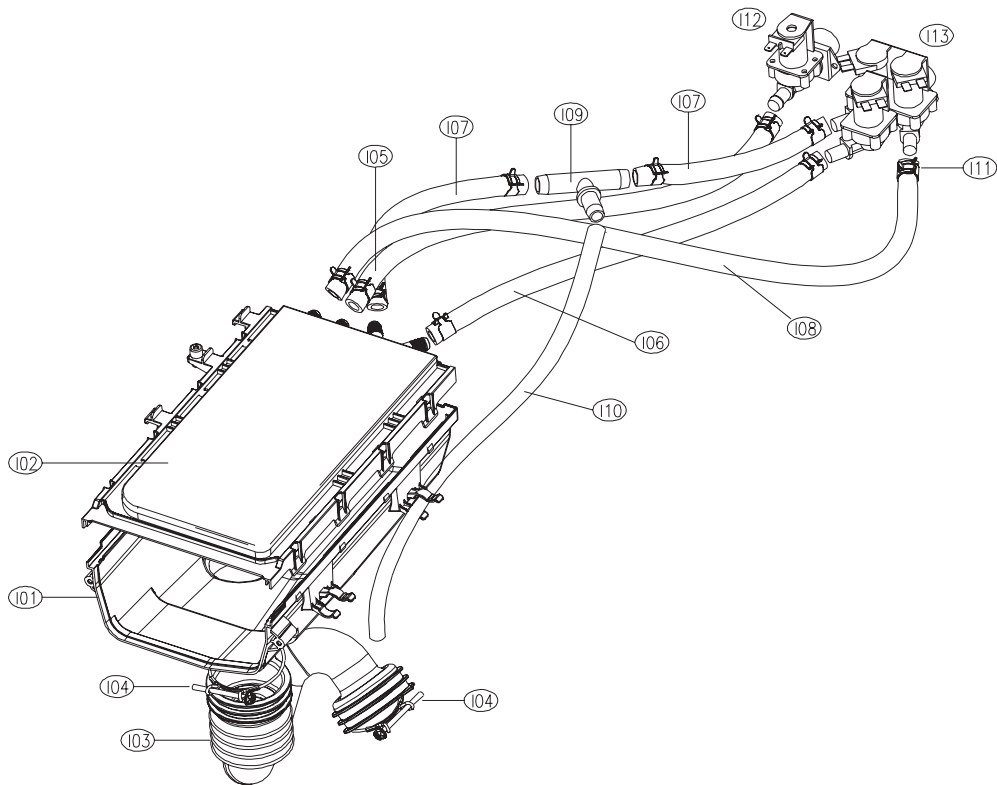


Control Panel

ASKO, WL6532XXL - Front loader #1076532RR (WL6532)

| Pos | Spare part No. | Description | Qty | Comment |
|-------|----------------|-------------------------------|--------|---------|
| P01 | 3614288800RR | Control Panel | 1 Pc's | |
| P02 | 3616637800RR | Power Button | 1 Pc's | |
| P03 | 3615506300RR | Lens Cover - Prg Selector | 1 Pc's | |
| P04 | 3616637900RR | Start Button | 1 Pc's | |
| P05 | 3616638100RR | Option Button | 7 Pc's | |
| P06 | 3615506400RR | Program Lens Cover | 1 Pc's | |
| P07 | 3616638000RR | Program Option Button | 1 Pc's | |
| P08 | 3616638200RR | Program Knob - Outer | 1 Pc's | |
| P09 | 3616638300RR | Program Knob - Inner | 1 Pc's | |
| P10 | 3613054700 | Program Knob Lens | 1 Pc's | |
| P11 | 3613054500 | Program Knob Lens Holder | 1 Pc's | |
| P12 | 3613054600 | Lens Cover - Prg Option | 1 Pc's | |
| P13 | PRPSSWAD29 | Control Unit - PCB Front | 1 Pc's | |
| P14 | 3611147600 | Control Unit Case - PCB Front | 1 Pc's | |
| P14-a | 7122401411 | Screw - Self Tapping | 7 Pc's | |
| P14-b | 3613557800 | LABEL WIRING | 1 Pc's | |
| P15 | 3611147700RR | Det. Compartment Handle | 1 Pc's | |
| P16 | 3612611400RR | Handle Cover | 1 Pc's | |
| P17 | 3611145600 | Det. Compartment Drawer | 1 Pc's | |
| P18 | 3610917800 | Softner Compartment | 1 Pc's | |
| P19 | 3610917900 | Bleach Compartment | 1 Pc's | |
| P20 | 3610918000 | Liquid Det. Syphon Cap | 1 Pc's | |
| P21 | 3611145700 | Liquid Det. Compartment | 1 Pc's | |

4. INLET SYSTEM ASS'Y

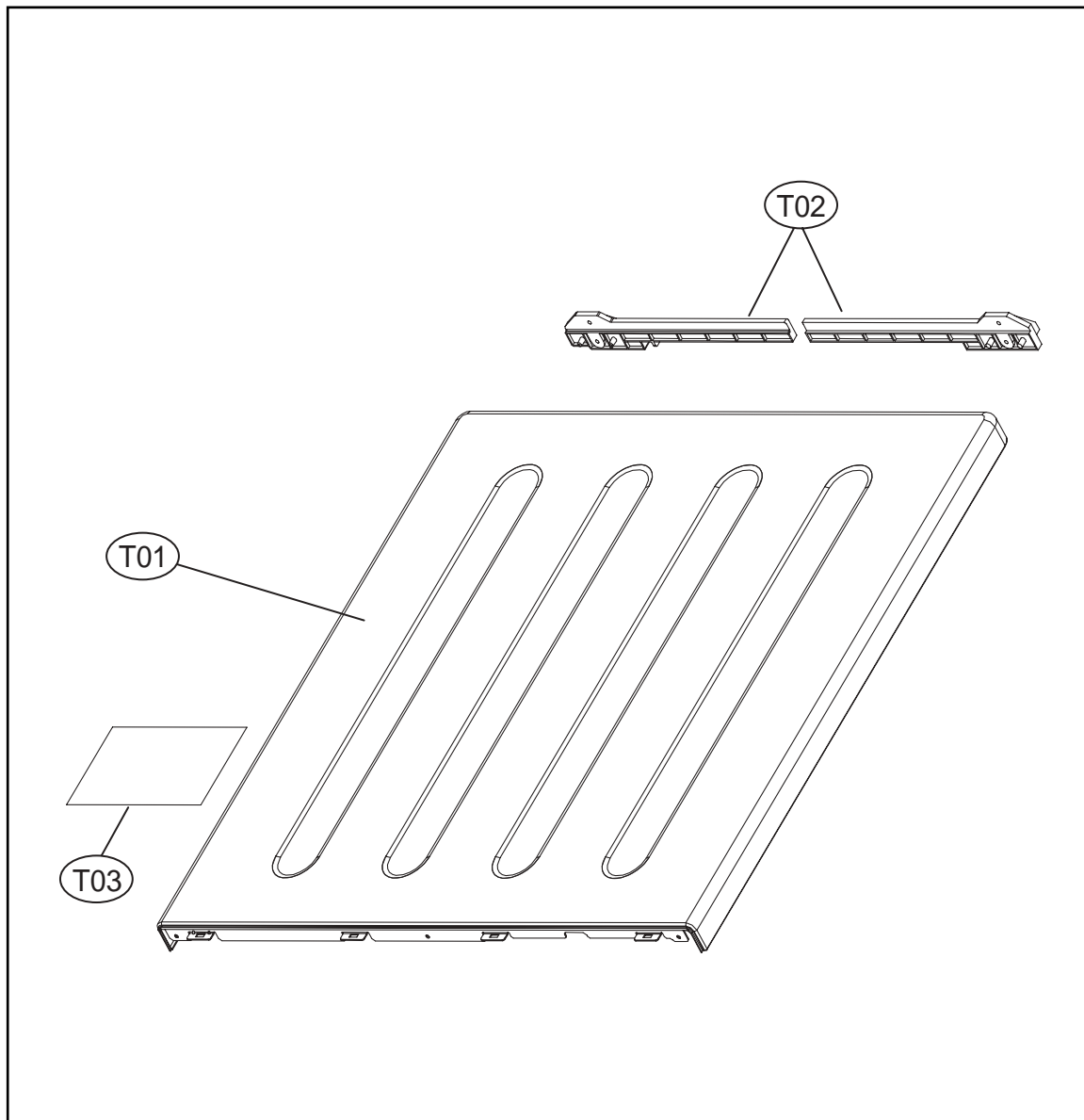


Inlet System

ASKO, WL6532XXL - Front loader #1076532RR (WL6532)

| Pos | Spare part No. | Description | Qty | Comment |
|------------|-----------------------|----------------------------------|------------|----------------|
| I01 | 3617510800 | Water Inlet Compartment - Bottom | 1 Pc's | |
| I02 | 3618104800 | Water Inlet Compartment - Top | 1 Pc's | |
| I03 | 3613270300 | Bellows Hose, Tub | 1 Pc's | |
| I04 | 3611203200 | Clamp, Bellows Hose | 2 Pc's | |
| I05-I08 | 3613270920 | Inlet Hose - Hot Water | 5 Pc's | |
| I09 | 3614413300 | T Connector, Inlet Hose | 1 Pc's | |
| I10 | 3613270130 | Shower Hose | 1 Pc's | |
| I11 | 3611205810 | Spring Clamp | 1 Pc's | |
| I12 | 3615416700 | Inlet Valve, 1 way - Hot | 1 Pc's | |
| I13 | 3615416930 | Inlet Valve, 3 way - Cold | 1 Pc's | |
| I13-a | 7002400811 | Screw - Self Tapping | 4 Pc's | |
| I13-b | 7122401411 | Screw - Self Tapping | 2 Pc's | |

7. TOP PANEL ASS'Y



Top Lid

ASKO, WL6532XXL - Front loader #1076532RR (WL6532)

| Pos | Spare part No. | Description | Qty | Comment |
|-------|----------------|----------------------|--------|---------|
| T01 | PRMACA3R60 | Top Plate Red | 1 Pc's | |
| T02 | 3615304100 | Top Panel Support | 2 Pc's | |
| T02-a | 7122401411 | Screw - Self Tapping | 4 Pc's | |

Wiring Diagram

